



Modular Cooking Range Line 700XP Full Module Freestanding Gas Char-Grill

ITEM # _____

MODEL # _____

NAME # _____

SIS # _____

AIA # _____



Modular Cooking Range Line
700XP Full Module Freestanding Gas Char-Grill



371238 (E7GRGHGCFU) Full module gas grill free standing

Short Form Specification

Item No. _____

To be installed on height adjustable feet in stainless steel. High efficiency 16 kW stainless steel gas burners with flame failure device, protected by deflection trays. Suitable for natural gas or LPG. Cooking surface grids in enameled cast iron, easily removable for cleaning. Exterior panels in stainless steel with Scotch Brite finish. One piece pressed work top in 1.5 mm thick stainless steel. Right-angled side edges to allow flush-fitting junction between units.

Main Features

- The low temperature of the external panels allow to work in safety.
- Stainless steel burners with flame failure device.
- Burners are protected by deflection trays to prevent fat dripping on them.
- Stainless steel high splash guard on the rear and sides can be easily removed for cleaning and is dishwasher-safe.
- Unit delivered with four 50 mm legs in stainless steel as standard (all round Stainless steel kick plates as option).
- Cooking grids made in highly resistant enameled cast iron for easy cleaning.

Construction

- All exterior panels in Stainless Steel with Scotch Brite finishing.
- One piece pressed 1.5 mm work top in Stainless steel.
- Model has right-angled side edges to allow flush fitting joints between units, eliminating gaps and possible dirt traps.
- IPX4 water resistance certification.

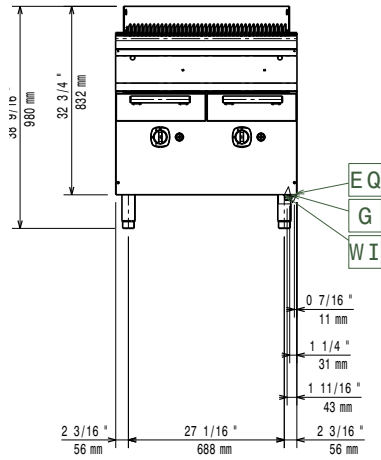
APPROVAL: _____



Optional Accessories

- | | | | |
|---|--|--|-------------------------------------|
| • Junction sealing kit | PNC 206086 <input type="checkbox"/> | • Stainless steel grid for free standing wide grills (700XP) | PNC 206410 <input type="checkbox"/> |
| • Draught diverter, 150 mm diameter | PNC 206132 <input type="checkbox"/> | • Stainless steel grids with drain shape for free standing wide grills (700XP) | PNC 206411 <input type="checkbox"/> |
| • Matching ring for flue condenser, 150 mm diameter | PNC 206133 <input type="checkbox"/> | • Scraper for grids with drainage channels - top grills | PNC 206421 <input type="checkbox"/> |
| • Kit 4 wheels - 2 swivelling with brake - it is mandatory to install base support and wheels | PNC 206135 <input type="checkbox"/> | • Scraper for free standing grills | PNC 206422 <input type="checkbox"/> |
| • Flanged feet kit | PNC 206136 <input type="checkbox"/> | • 2 side covering panels for free standing appliances | PNC 216000 <input type="checkbox"/> |
| • Frontal kicking strip for concrete installation, 800mm | PNC 206148 <input type="checkbox"/> | • Frontal handrail, 800mm | PNC 216047 <input type="checkbox"/> |
| • Frontal kicking strip for concrete installation, 1000mm | PNC 206150 <input type="checkbox"/> | • Frontal handrail, 1200mm | PNC 216049 <input type="checkbox"/> |
| • Frontal kicking strip for concrete installation, 1200mm | PNC 206151 <input type="checkbox"/> | • Frontal handrail, 1600mm | PNC 216050 <input type="checkbox"/> |
| • Frontal kicking strip for concrete installation, 1600mm | PNC 206152 <input type="checkbox"/> | • Large handrail - portioning shelf, 800mm | PNC 216186 <input type="checkbox"/> |
| • Frontal kicking strip, 800mm (not for refr-freezer base) | PNC 206176 <input type="checkbox"/> | • Pressure regulator for gas units | PNC 927225 <input type="checkbox"/> |
| • Frontal kicking strip, 1000mm (not for refr-freezer base) | PNC 206177 <input type="checkbox"/> | | |
| • Frontal kicking strip, 1200mm (not for refr-freezer base) | PNC 206178 <input type="checkbox"/> | | |
| • Frontal kicking strip, 1600mm (not for refr-freezer base) | PNC 206179 <input type="checkbox"/> | | |
| • Kit 4 feet for concrete installation (not for 900 line free standing grill) | PNC 206210 <input type="checkbox"/> | | |
| • Central support for installation of drawers and grid (on 800/1200mm bases) and of doors (on 1200mm bases) | PNC 206245 <input type="checkbox"/> | | |
| • Flue condenser for 1 module, 150 mm diameter | PNC 206246 <input type="checkbox"/> | | |
| • Pair of side kicking strips | PNC 206249 <input type="checkbox"/> | | |
| • Pair of side kicking strips for concrete installation | PNC 206265 <input type="checkbox"/> | | |
| • Water filling tap for free standing grills | PNC 206281 <input type="checkbox"/> | | |
| • Chimney upstand, 800mm | PNC 206304 <input type="checkbox"/> | | |
| • Right and left side handrails | PNC 206307 <input type="checkbox"/> | | |
| • Back handrail 800mm, Marine | PNC 206308 <input type="checkbox"/> | | |
| • Base support for feet or wheels - 800mm (700/900) | PNC 206367 <input type="checkbox"/> | | |
| • Base support for feet or wheels - 1200mm (700/900) | PNC 206368 <input type="checkbox"/> | | |
| • Base support for feet or wheels - 1600mm (700/900) | PNC 206369 <input type="checkbox"/> | | |
| • Base support for feet or wheels - 2000mm (700/900) | PNC 206370 <input type="checkbox"/> | | |
| • Rear paneling - 800mm (700/900) | PNC 206374 <input type="checkbox"/> | | |
| • Rear paneling - 1000mm (700/900) | PNC 206375 <input type="checkbox"/> | | |
| • Rear paneling - 1200mm (700/900) | PNC 206376 <input type="checkbox"/> | | |
| • Kit town gas nozzles (G150) for 700 grill | PNC 206389 <input type="checkbox"/> | | |

Front


Gas

| | | |
|-------------------------------|----------------------------|--------------------------|
| Gas Power: | 371238 (E7GRGHGCFU) | 16 kW |
| Standard gas delivery: | | Natural Gas G20 (20mbar) |
| Gas Type Option: | | LPG;Town |
| Gas Inlet: | | 1/2" |

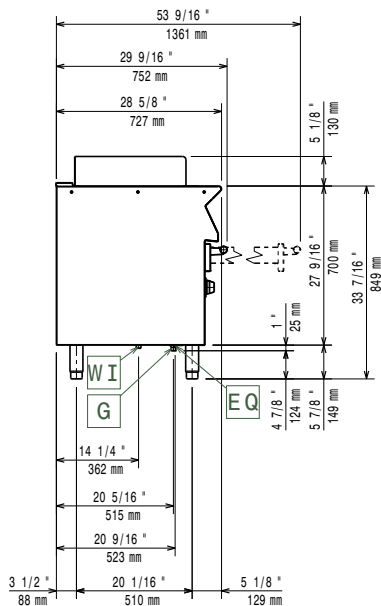
Key Information:

| | |
|-------------------------------|---------------------|
| Cooking surface width: | 631 mm |
| Cooking surface depth: | 478 mm |
| Net weight: | 75 kg |
| Shipping weight: | 95 kg |
| Shipping height: | 1180 mm |
| Shipping width: | 820 mm |
| Shipping depth: | 860 mm |
| Shipping volume: | 0.83 m ³ |

If appliance is set up or next to or against temperature sensitive furniture or similar, a safety gap of approximately 150 mm should be maintained or some form of heat insulation fitted.

Certification group: N7GG

Side



EQ = Equipotential screw
 G = Gas connection

Top

