

Modular Cooking Range Line 900XP Full Module Electric Fry Top, Smooth Polished Chrome Plate

ITEM # _____

MODEL # _____

NAME # _____

SIS # _____

AIA # _____


391073
(E9FTEHCS00)

Full module electric fry top with smooth sloped polished chrome cooking plate, thermostatic control

391176
(E9FTEHCS0N)

Electric fry top with smooth sloped polished chrome cooking plate, thermostatic control - 230V

Short Form Specification

Item No. _____

Smooth cooking polished chrome surface. To be installed on open base installations, bridging supports or cantilever systems. Removable drawer below the cooking surface for the collection of grease and fat. Body and work top of unit entirely in stainless steel with Scotch Brite finish. Extra strength work top in heavy duty 2 mm stainless steel. Right-angled side edges to allow flush-fitting junction between units.

Main Features

- Unit to be mounted on open base cupboards, bridging supports or cantilever systems.
- Large drain hole on cooking surface permits the draining of fat into large 1 liter collector placed under the cooking surface.
- Electric elements in incoloy positioned under the cooking plate.
- Safety thermostat and thermostatic control.
- Units have separate controls for each half module of the cooking surface.
- Stainless steel high splash guards on the rear and sides of cooking surface. Splash guards can be easily removed for cleaning and are dishwasher-safe.
- The special design of the control knob system guarantees against water infiltration.
- IPX5 water protection.
- Temperature range from 120° up to 280°C.
- Polished chromium surface avoids the mixing of flavors when passing from one type of food to another.

Construction

- Unit is 930 mm deep to give a larger working surface area.
- All exterior panels in Stainless Steel with Scotch Brite finishing.
- AISI 304 stainless steel worktop, 2mm thick.
- Model has right-angled side edges to allow flush fitting joints between units, eliminating gaps and possible dirt traps.
- Cooking surface completely smooth.
- Cooking surface 15mm thick polished chrome for optimum grilling results and ease of use.

Included Accessories

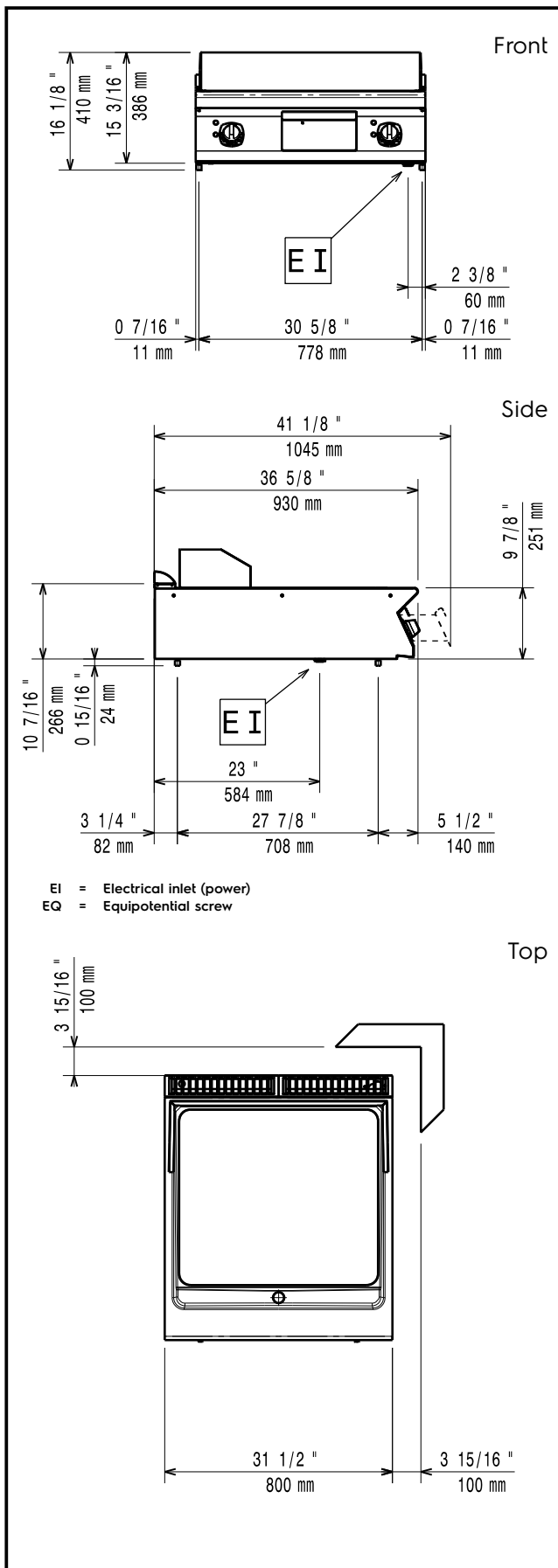
- 1 of Scraper for smooth plate fry tops PNC 164255

Optional Accessories

- Scraper for smooth plate fry tops PNC 164255
- Junction sealing kit PNC 206086
- Support for bridge type installation, 800mm PNC 206137
- Support for bridge type installation, 1000mm PNC 206138
- Support for bridge type installation, 1200mm PNC 206139
- Support for bridge type installation, 1400mm PNC 206140
- Support for bridge type installation, 1600mm PNC 206141
- Back handrail 800mm, Marine PNC 206308
- Back handrail 1200mm, Marine PNC 206309

APPROVAL: _____

- Grease/oil kit container for 700 line frytops (half and module) and 900 line frytops (module) PNC 206346
- Chimney grid net, 400mm (700XP/900) PNC 206400
- Side handrail-right/left hand (900XP) PNC 216044
- Frontal handrail, 800mm PNC 216047
- Frontal handrail, 1200mm PNC 216049
- Frontal handrail, 1600mm PNC 216050
- Water drain for full module fry tops PNC 216153
- Large handrail - portioning shelf, 800mm PNC 216186
- 2 side covering panels for top appliances PNC 216278



Electric

Supply voltage:

391073 (E9FTEHCS00)	380-400 V/3 ph/50/60 Hz
391176 (E9FTEHCS0N)	230 V/3 ph/50/60 Hz

Electrical power max.:

15 kW

Total Watts:

15 kW

Predisposed for:

391073 (E9FTEHCS00)	380-400V 3- 50/60Hz 13,5-15kW
---------------------	----------------------------------

Key Information:

Cooking surface width: 730 mm

Cooking surface depth: 700 mm

Working Temperature MIN: 120 °C

Working Temperature MAX: 280 °C

Net weight:

391073 (E9FTEHCS00) 90.5 kg

391176 (E9FTEHCS0N) 105 kg

Shipping weight:

391073 (E9FTEHCS00) 101.5 kg

391176 (E9FTEHCS0N) 120 kg

Shipping height:

391073 (E9FTEHCS00) 560 mm

391176 (E9FTEHCS0N) 540 mm

Shipping width:

391073 (E9FTEHCS00) 1010 mm

391176 (E9FTEHCS0N) 900 mm

Shipping depth:

391073 (E9FTEHCS00) 860 mm

391176 (E9FTEHCS0N) 1020 mm

Shipping volume:

391073 (E9FTEHCS00) 0.49 m³

391176 (E9FTEHCS0N) 0.5 m³

Certification group:

391073 (E9FTEHCS00) N9RE

391176 (E9FTEHCS0N) N9RE1

If appliance is set up or next to or against temperature sensitive furniture or similar, a safety gap of approximately 150 mm should be maintained or some form of heat insulation fitted.