

Modular Cooking Range Line 700XP Electric Hob Cooking Top 800 mm

ITEM # _____

MODEL # _____

NAME # _____

SIS # _____

AIA # _____



371028 (E7HOEH4000)

 Full module electric hob
 cooking top

Short Form Specification

Item No.

Unit to be Electrolux 700XP Electric Hob Cooking Top, 800mm in width. Unit to have high efficiency 10.6 kW infrared heating elements. Unit shall have large flat cooking surface made in mild steel allows for the use of a number of various sized pots and pans, all easily moved across the surface without lifting. Exterior panels of unit in Stainless steel with Scotch Brite finish. One piece pressed work top in 1.5 mm thick Stainless steel. Unit has right-angled side edges to allow flush-fitting junction between units.

Main Features

- 10.6 kW infrared heating elements can reach a maximum temperature of 400°C.
- Durable mild steel cooking plate, easy to clean.
- Various sizes of pans can be used at the same time due to large surface area with no intermediate sectors.
- Pans can easily be moved from one area to another without lifting.
- All major compartments located in front of unit for ease of maintenance.
- Top configuration allows installation on ambient base only (not possible to install on refrigerated nor freezer base).

Construction

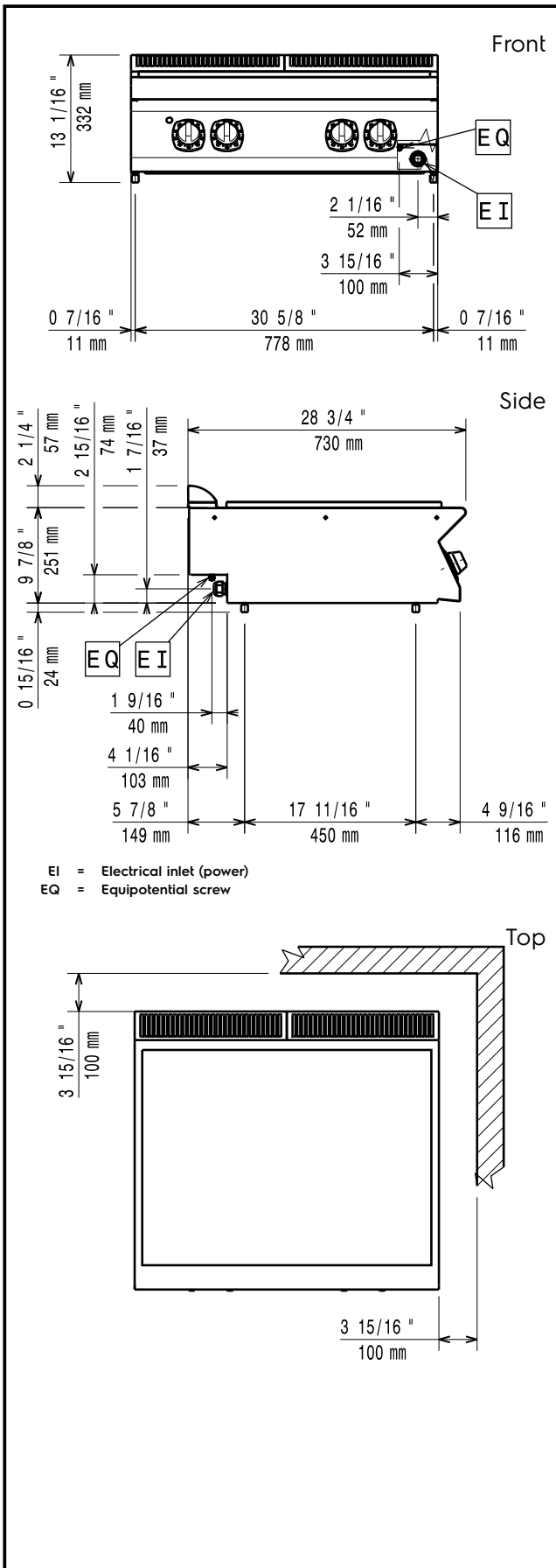
- All exterior panels in Stainless Steel with Scotch Brite finishing.
- One piece pressed 1.5 mm work top in Stainless steel.
- Model has right-angled side edges to allow flush fitting joints between units, eliminating gaps and possible dirt traps.
- IPX4 water resistance certification.

Optional Accessories

- Junction sealing kit PNC 206086
- Draught diverter, 150 mm diameter PNC 206132
- Matching ring for flue condenser, 150 mm diameter PNC 206133
- Support for bridge type installation, 800mm PNC 206137
- Support for bridge type installation, 1000mm PNC 206138
- Support for bridge type installation, 1200mm PNC 206139
- Support for bridge type installation, 1600mm PNC 206141
- Water column with swivel arm (water column extension not included) PNC 206289
- Water column extension for 700 line PNC 206291
- Right and left side handrails PNC 206307
- Chimney grid net, 400mm (700XP/900) PNC 206400
- Frontal handrail, 800mm PNC 216047
- Frontal handrail, 1200mm PNC 216049
- Frontal handrail, 1600mm PNC 216050

APPROVAL: _____

- Large handrail - portioning shelf, 800mm PNC 216186 □
- 2 side covering panels for top appliances PNC 216277 □



Electric

| | | |
|-------------------------|---------------------|--------------------------------|
| Supply voltage: | 371028 (E7HOEH4000) | 380-400 V/3N ph/50/60 Hz |
| Rated amps: | | 0 A |
| Total Watts: | | 10 kW |
| Predisposed for: | | 380-400V 3N~ 50/60Hz 9-10kW |

Key Information:

| | |
|------------------------------------------|---------------------|
| Solid top usable surface (width): | 760 mm |
| Solid top usable surface (depth): | 565 mm |
| External dimensions, Width: | 800 mm |
| External dimensions, Height: | 250 mm |
| External dimensions, Depth: | 730 mm |
| Net weight: | 71.5 kg |
| Shipping weight: | 81.5 kg |
| Shipping height: | 530 mm |
| Shipping width: | 820 mm |
| Shipping depth: | 860 mm |
| Shipping volume: | 0.37 m ³ |

If appliance is set up or next to or against temperature sensitive furniture or similar, a safety gap of approximately 150 mm should be maintained or some form of heat insulation fitted.

Certification group: N7ETE