

Modular Cooking Range Line 700XP 2-Hot Plates Electric Boiling Top Range

ITEM # _____

MODEL # _____

NAME # _____

SIS # _____

AIA # _____



- 371014 (E7ECED2R00)** 2-hot plate (2,6 kW each)
electric boiling top
- 371126 (E7ECED2R0N)** 2-hot plate (2,6 kW each)
electric boiling top

Short Form Specification

Item No.

To be installed on open base installations, bridging supports or cantilever systems. Two 2.6 kW cast-iron hot plates hermetically sealed to the one-piece top. Exterior panels in stainless steel with Scotch Brite finish. One piece pressed work top in 1.5 mm thick stainless steel. Right-angled side edges to allow flush-fitting junction between units.

Main Features

- Unit to be mounted on open base cupboards, bridging supports or cantilever systems.
- The two 2.6kW cast-iron plates are hermetically sealed to the one-piece top.
- The special design of the control knob system guarantees against water infiltration.
- IPX 4 water protection.

Construction

- External panel in Stainless Steel with Scotch Brite finish.
- One piece pressed 1.5 mm work top in Stainless steel.
- Model has right-angled side edges to allow flush fitting joints between units, eliminating gaps and possible dirt traps.

Optional Accessories

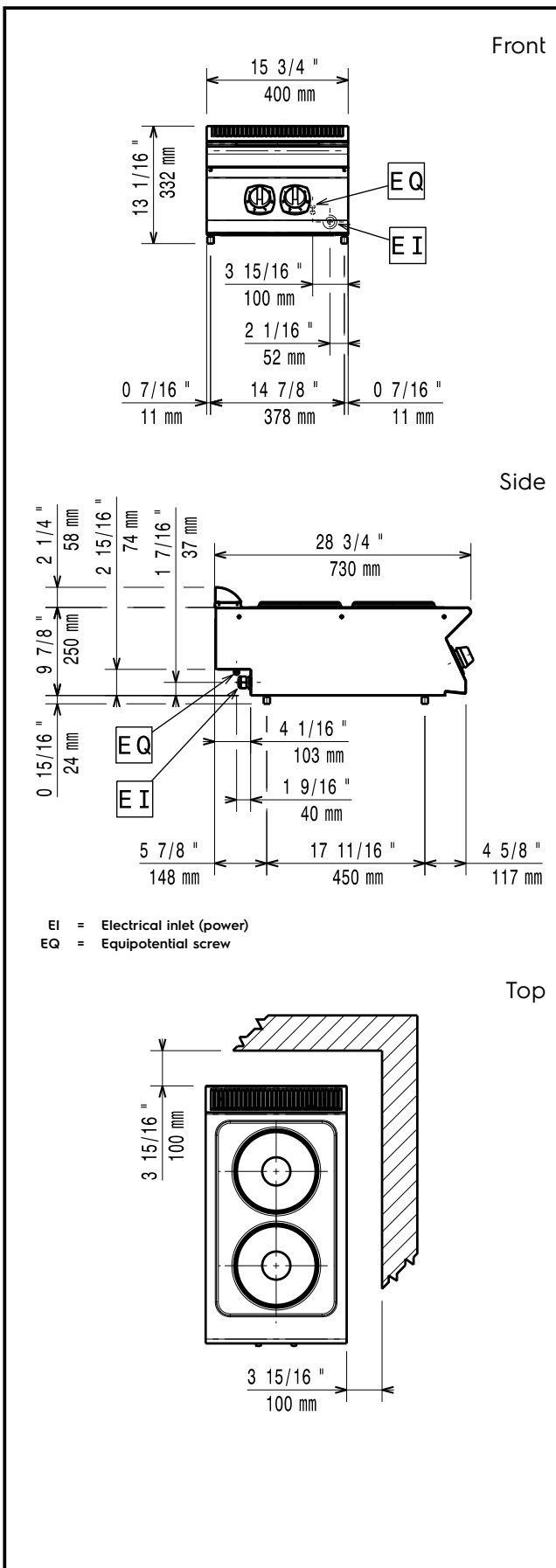
- Junction sealing kit PNC 206086
- Support for bridge type installation, 800mm PNC 206137
- Support for bridge type installation, 1000mm PNC 206138
- Support for bridge type installation, 1200mm PNC 206139
- Support for bridge type installation, 1400mm PNC 206140
- Support for bridge type installation, 1600mm PNC 206141
- Support for bridge type installation, 400mm PNC 206154
- Water column with swivel arm (water column extension not included) PNC 206289
- Water column extension for 700 line PNC 206291
- Chimney upstand, 400mm PNC 206303
- Right and left side handrails PNC 206307
- Back handrail 800mm, Marine PNC 206308
- Chimney grid net, 400mm (700XP/900) PNC 206400
- Frontal handrail, 400mm PNC 216046
- Frontal handrail, 800mm PNC 216047
- Frontal handrail, 1200mm PNC 216049
- Frontal handrail, 1600mm PNC 216050
- Large handrail - portioning shelf, 400mm PNC 216185
- Large handrail - portioning shelf, 800mm (only for 371126) PNC 216186

APPROVAL: _____

- 2 side covering panels for top appliances

PNC 216277
□





Electric

Supply voltage:

371014 (E7ECED2R00)	380-400 V/3 ph/50/60 Hz
371126 (E7ECED2R0N)	230 V/3 ph/50/60 Hz

Total Watts:

5.2 kW

Predisposed for:

371014 (E7ECED2R00)	380-400V 3- 50/60Hz
	4,5-5,2kW

Key Information:

Front Plates Power:	2.6 - 0 kW
Back Plates Power:	2.6 - kW
Front Plates dimensions:	Ø 230
Back Plates dimensions:	Ø 230
External dimensions, Width:	400 mm
External dimensions, Height:	250 mm
External dimensions, Depth:	730 mm
Net weight:	20 kg

Shipping weight:

371014 (E7ECED2R00)	25 kg
371126 (E7ECED2R0N)	27 kg

Shipping height:

371014 (E7ECED2R00)	530 mm
371126 (E7ECED2R0N)	540 mm

Shipping width:

460 mm

Shipping depth:

820 mm

Shipping volume:

0.2 m³

If appliance is set up or next to or against temperature sensitive furniture or similar, a safety gap of approximately 150 mm should be maintained or some form of heat insulation fitted.

Certification group:

371014 (E7ECED2R00)	EH72T
371126 (E7ECED2R0N)	N7CE1